



Recorder



Flow



Pressure



Temp



Analyzer



Level

Datasheet

Ultrasonic level transmitter

SUP-MP-C

Supmea[®]

Committed to process automation solutions

Datasheet**Ultrasonic level transmitter
SUP-MP-C**

Ultrasonic level meter (measurement of liquid level/material level) is a non-contact, high reliability, cost-effective, easy-to-install and maintain liquid level/material level measuring instrument. It can meet most liquid level/level measurement requirements without contacting the measured medium. It is a new generation of ultrasonic level gauge with completely independent property rights of our company.

Applications

- Fire water tank
- Deep well water level
- River reservoir
- Engineering pool
- Sewage/waste water
- Chemical material

Features

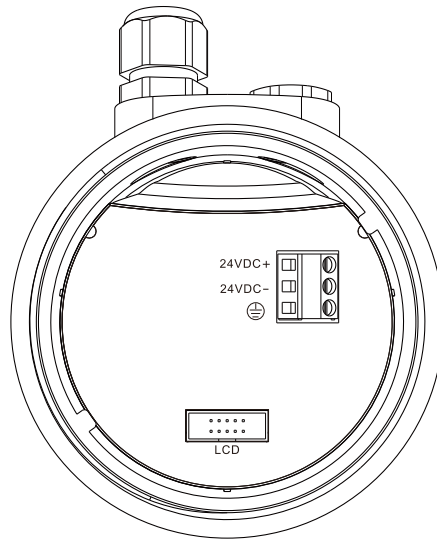
- Simple operation
- Fault self-diagnosis technology, realize real-time fault self-diagnosis
- A variety of working conditions algorithm selection, improve environmental adaptability;
- High measurement resolution
- Fast response, the fastest response time
- Automatic temperature compensation

**Ultrasonic level meter****Principle**

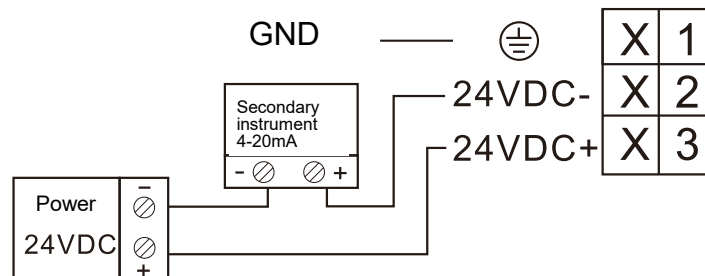
The ultrasonic wave is reflected when it meets the interface of liquid medium (solid medium) with different density, and the transmission time is measured to measure the liquid level / distance

Parameters	
Product	Ultrasonic level transmitter
Model	SUP-MP-C
Measure range	(0~5) m / (0~10) m / (0~15) m
Blind zone	≤0.4m (5m、10m) ≤0.6m (15m)
Accuracy	±0.5%FS
Display	Monochrome LCD with resolution of 128 * 64
Current output	(4 ~ 20) mA , the output accuracy is 0.2%FS Output load is (U-18V)/0.02A (U:supply voltage,2-wire) Output load is (U-14V)/0.02A (U:supply voltage,4-wire)
Measuring variable	Level/Distance
Power supply	18-28 VDC
Resolution	1mm or 0.1%FS (maximum)
Communication	RS485 (4-wire)
Relay output	2 groups (4-wire optional)
Working temperature	Instrument: (-20~+60)°C Probe: (-20~+80)°C
Ingress Protection	Instrument: IP65 Probe: IP68
Relative humidity	(10~85)%RH (no condensation)
Language	Chinese/English
Installation method	Threaded installation
Display method	With display (Optional without display. Refer to 1.5 for settings without display)

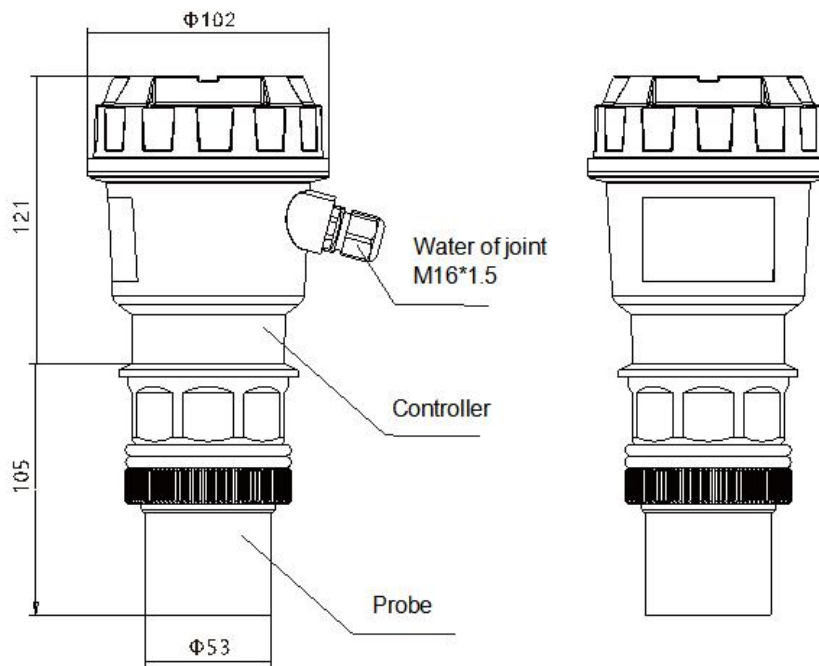
Wiring



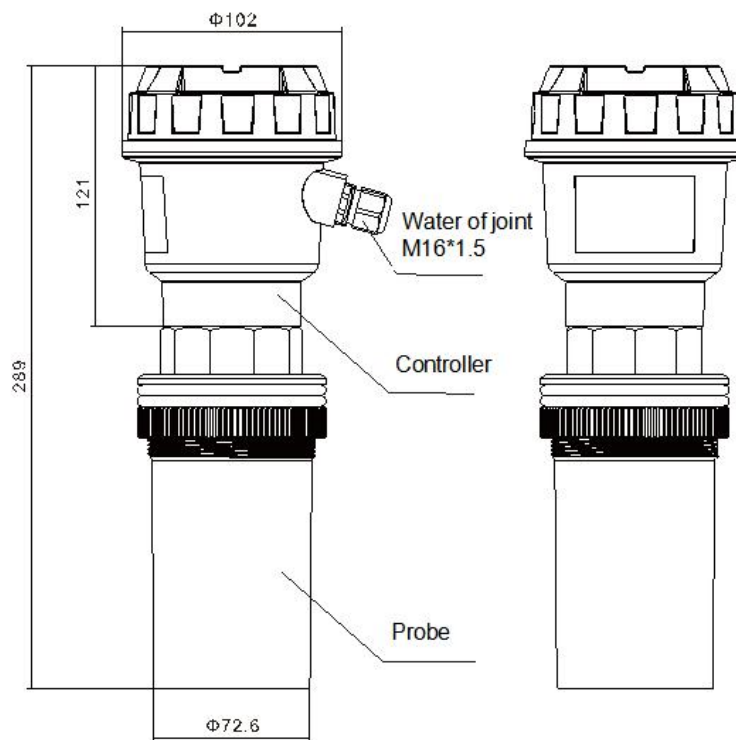
1	X	24VDC+	} 24VDC
2	X	24VDC-	
3	X	⊕	— GND



Dimension



M60×2 or G2 Thread Sensor (5m/10m)



M78×2 Thread Sensor (15m)

Ordering code

SUP-MP-C-RT1-DT1-ST1-J5-O1-D0-A2-V1									Description
SUP-MP-C	-	-	-	-	-	-	-	-	
Measurement range	RT1								5m
	RT2								10m
	RT3								15m
Display type		DT1							With display
Sensor type			ST1						Standard
			ST2						Anti-corrosion
Accuracy				J5					0.5%
Output					O1				2-wire (4~20) mA
					O8				4-wire (4~20) mA
Communication						D0			No
						D2			RS485
Relay output							A0		No
							A2		2 relay
Power supply								V1	24VDC

Note:When 4-wire system is used, the default display is displayed.Single current output is 2-wire system, no RS485, no relay output