

Angle seat valve



Specification

Orifice: DN15-DN65

Thread: G1/8" -G2 1/2"

Valve material: stainless steel 316

Actuator material: Aluminium, stainless steel, plastic

Valve core seal: PTFE

Valve stem seal: PTFE / FKM

Applicable medium: Water, liquid, neutral gas, oil
water steam, weak acid or weak
alkalis Solution.

Medium temperature: -10°C ~180°C

Environment temperature: -10°C ~60°C

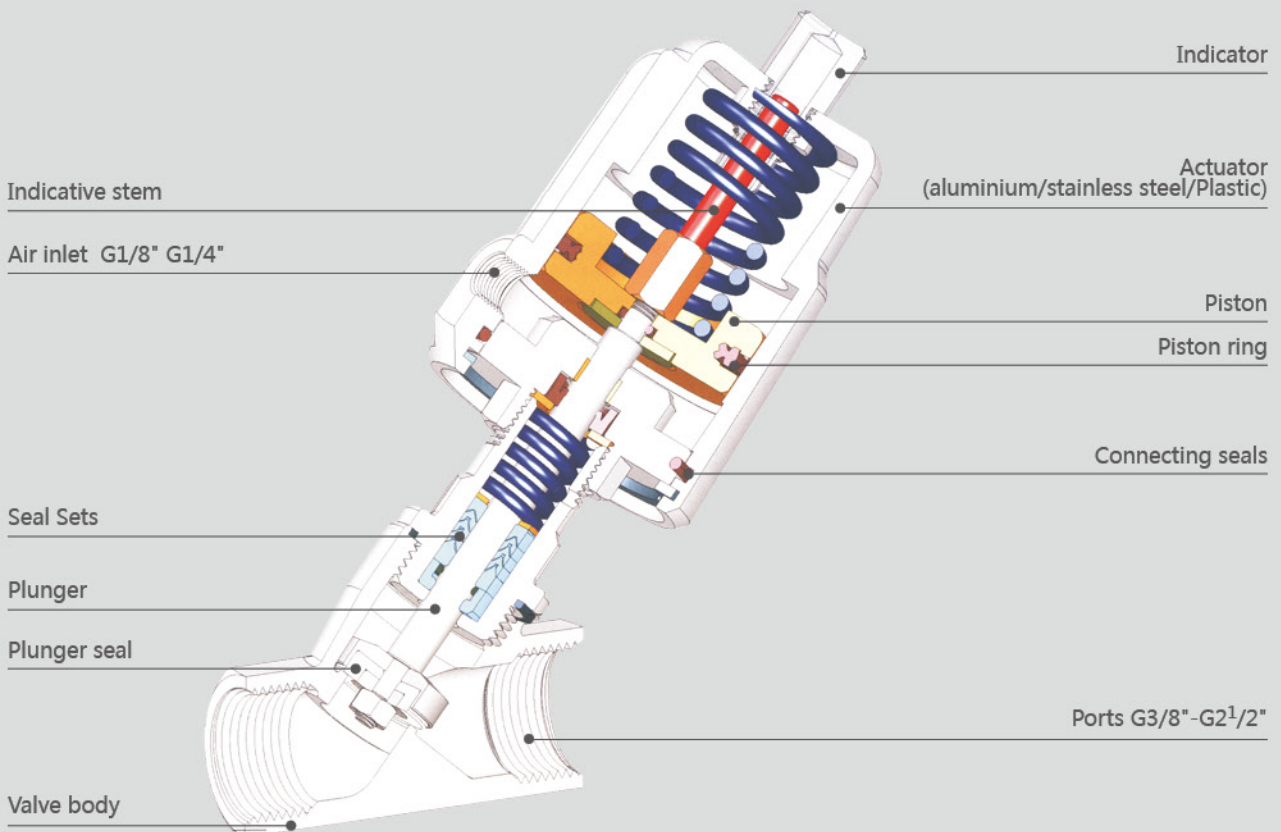
Viscosity: max. 600 mm² / S

Installation: any position

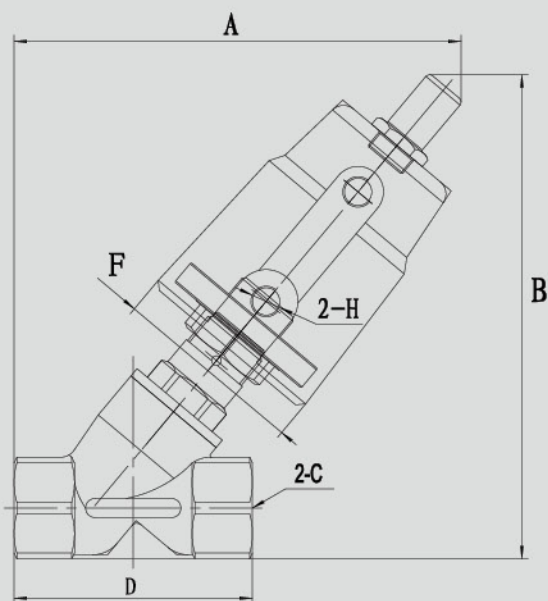
Controlling medium: air or neutral gas

Controlling pressure range: 0.3~1Mpa

Liquid working pressure: 0~1.6Mpa



Angle seat valve



Model	Actuator size	A	B	C	D	E	F	H
RJQ2250-10	50	140	150	G3/8	69	27	60.5	G1/8
RJQ2250-15	50	140	150	G1/2	69	27	60.5	G1/8
RJQ2250-20	50	143	155	G3/4	75.5	32	60.5	G1/8
RJQ2250-25	50	163.5	176	G1	90	39	60.5	G1/8
RJQ2263-25	63	174.5	189.5	G1	90	39	77	G1/8
RJQ2263-32	63	190.5	207.5	G1-1/4	117	50	77	G1/8
RJQ2263-40	63	190.5	207.5	G1-1/2	117	55	77	G1/8
RJQ2263-50	63	219.5	232.5	G2	137	70	77	G1/4
RJQ2280-50	80	233	253	G2	137	70	98	G1/4
RJQ22100-65	100	270	290.5	G2-1/2	170	85	116	G1/4