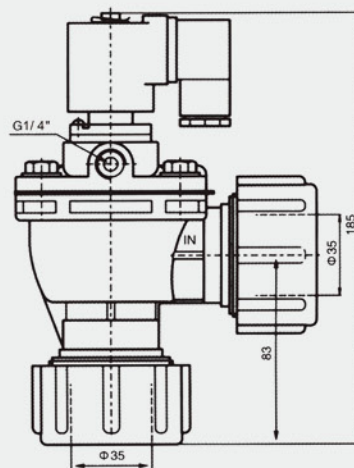
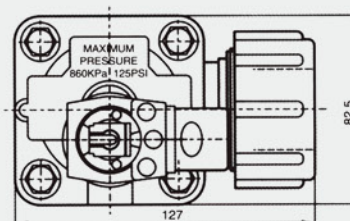


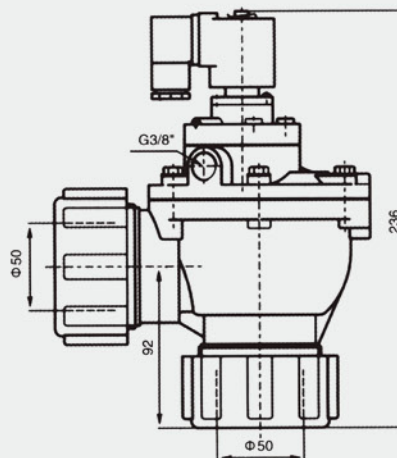
## Right Angle (DD Type) Solenoid Pulse Valve



Model	RMF-25DD
Working-pressure	0.3 ~ 0.8MPa
Ambient Temperature	-5 ~ 55°C
Relative Humidity	< 85%
Working Medium	Clean Air
Voltage	AC110V / AC220V / DC24V
Diaphragm Life	Over One Million Cycles
Orifice	φ 25
Connection Port	φ 35



## Right Angle (DD Type) Solenoid Pulse Valve



Model	RMF-45DD
Working-pressure	0.3 ~ 0.8MPa
Ambient Temperature	-5 ~ 55°C
Relative Humidity	< 85%
Working Medium	Clean Air
Voltage	AC110V / AC220V / DC24V
Diaphragm Life	Over One Million Cycles
Orifice	φ 40
Connection Port	φ 50

